

How To Install A Hinge Type Stopper

Here's something a little different and perhaps simplest of all to install. As in the previous three recipes, the purpose of the device is to prevent damage to the wall. This is the last possibility, so make up your mind.

Utensils

Hammer
Screwdriver

Ingredients

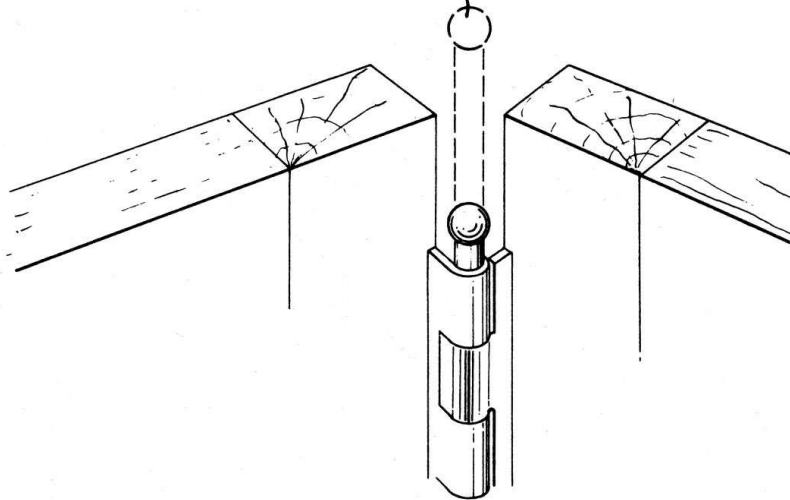
Hinge-type stopper

Approximate Time: 5 To 10 Minutes

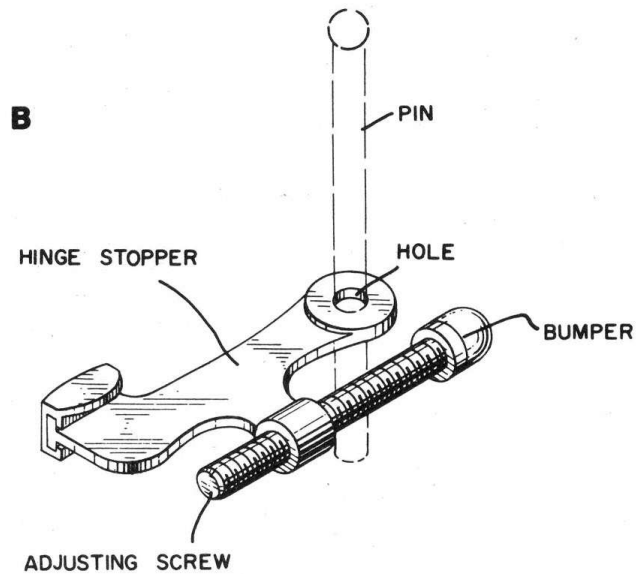
1. With hammer and screwdriver gently tap out pin from either top or bottom door hinge (Fig. 34A).
2. Now insert hinge pin through the hole of hinge stopper (Fig. 34B).
3. Insert entire assembly into door hinge (Fig. 34C). Adjust stopper screw for desired swing.

TAP OUT HINGE PIN WITH
HAMMER AND SCREWDRIVER

A



B



C

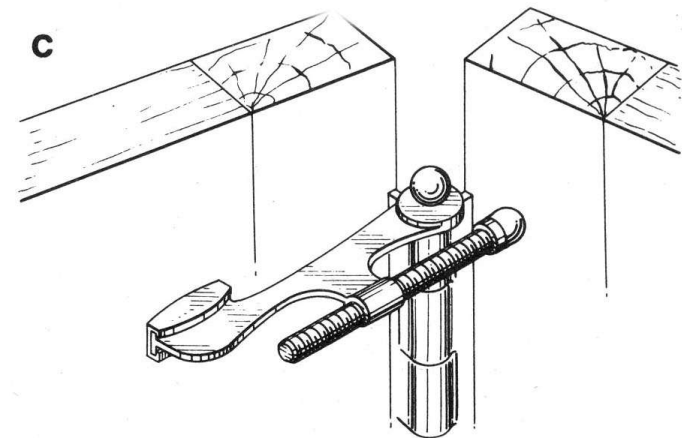


Figure 34.
Hinge Type Stopper Setup