

Permissions For Reprints Contact: 1-800-640-8285

How To Repair Pinholes in Pipes

This is the least troublesome repair to make on a leaky pipe. A pinhole just can't create a big hassle: a squirt here and there, but certainly not a flood. So be calm as you perform this simple task.

Ingredients

Box of round toothpicks

Approximate Time: 10 To 15 Minutes

1. Locate pinhole in pipe (Fig. 89A). It is not necessary, for this recipe, to shut off water supply, though some find it desirable.
2. Push toothpick as far as possible into pinhole (Fig. 89B).
3. If you have shut off water supply, you may now turn it back on.
4. The leak may persist for several moments, but it will cease once the toothpick has expanded in the hole.
5. Call plumber when time allows, but not on weekends or holidays.

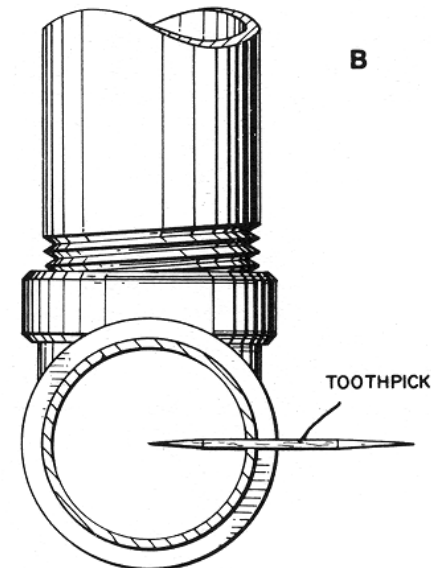
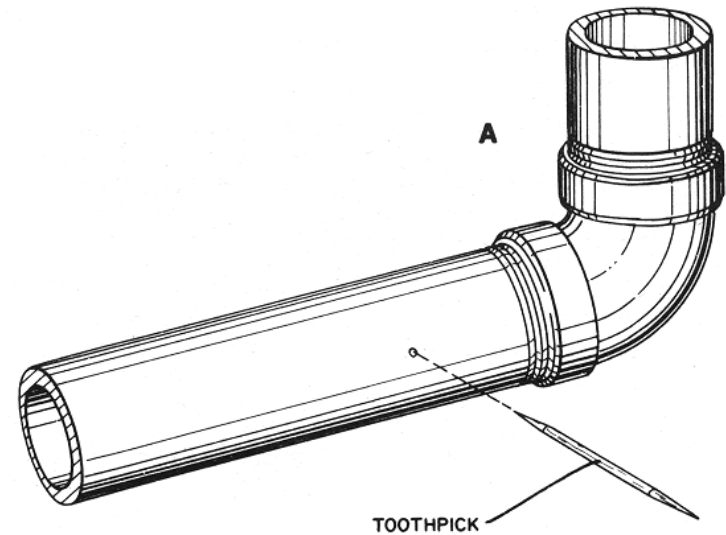


Figure 89.
How To Repair Pinholes in Pipe