

Permissions For Reprints Contact: 1-800-640-8285

How To Install A Solid-Type Wall Mounted Door Stop

If you don't care for the wall bumper in Recipe 31, we herein offer you another variety. It's just as easy to install, and performs its task to the same end: to protect your walls.

Utensils

- Ruler
- Pencil
- Hammer
- Awl
- Electric or hand drill
- Carbide bit to fit fiber anchor
- Pliers

Ingredients

- Solid-type wall bumper
- Epoxy glue set
- Fiber anchors and screws to fit bumper (see chart on screws)

Approximate Time: 15 To 30 Minutes

1. On the wall, measure in 1" inches from the latch-side edge of the door, 3" to 4" inches from the floor (Figs. 32A and 32B). Mark the spot with pencil.
2. At that spot, punch in a small hole with the awl.
3. Insert bumper screw into position. If secure, remove.
4. Mix epoxy glue.
5. Apply glue to flange of screw and reinsert snugly into hole (Fig. 32C).
6. If wall is masonry:
 - a. Drill hole with carbide bit and insert fiber anchor.
 - b. Apply glue to back of bumper.
 - c. Using pliers, screw bumper securely into position on the wall.

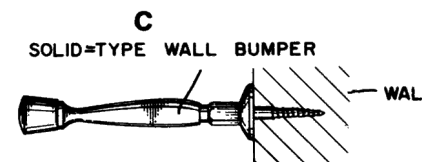
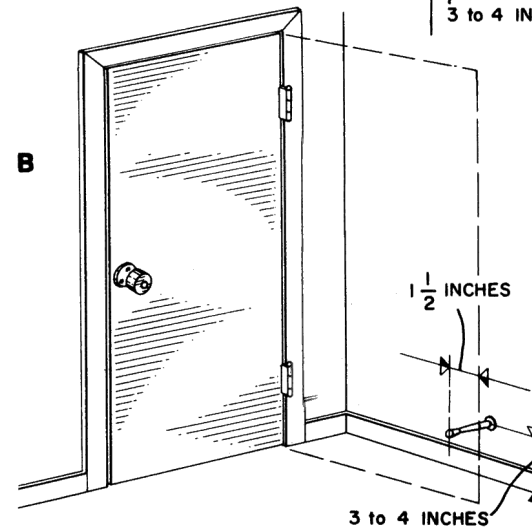
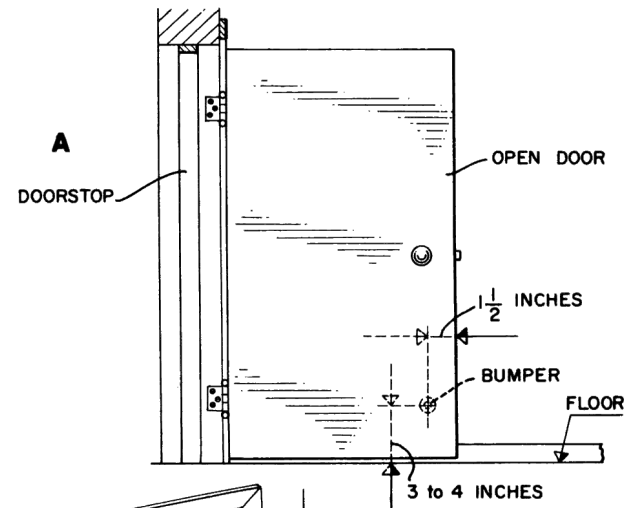


Figure 32.
Solid Type Wall Bumper Solution