



Permissions For Reprints Contact: 1-800-640-8285

How To Secure Double Hung Window with Nail

The nail latch may be used in conjunction with any other latch on your window for additional protection. We like it a great deal because it has good safety value and a homey quality. And you'll like it because it just takes a few minutes to install.

Utensils

Electric or hand drill
3/16" inch diameter high-speed bit

Ingredients

4" inch common nails (use 4 per double sash)

Approximate Time: 10 Minutes Per Sash

1. Close window securely.
2. Drill holes into both sides of sash as shown in Figure 25A. If done correctly, the holes will extend through the sash into window frame.
3. Insert a nail into each hole. Window is now securely locked.
4. Nails may be removed to open windows.

An alternate method is illustrated in Figure 25B.

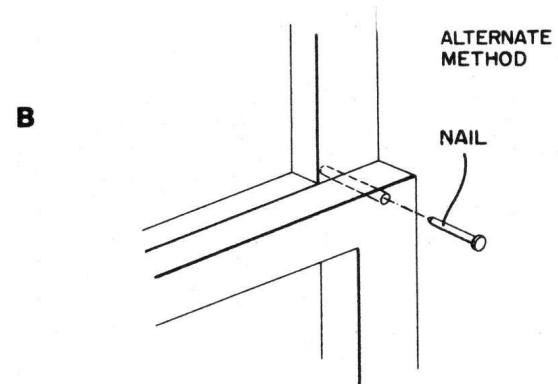
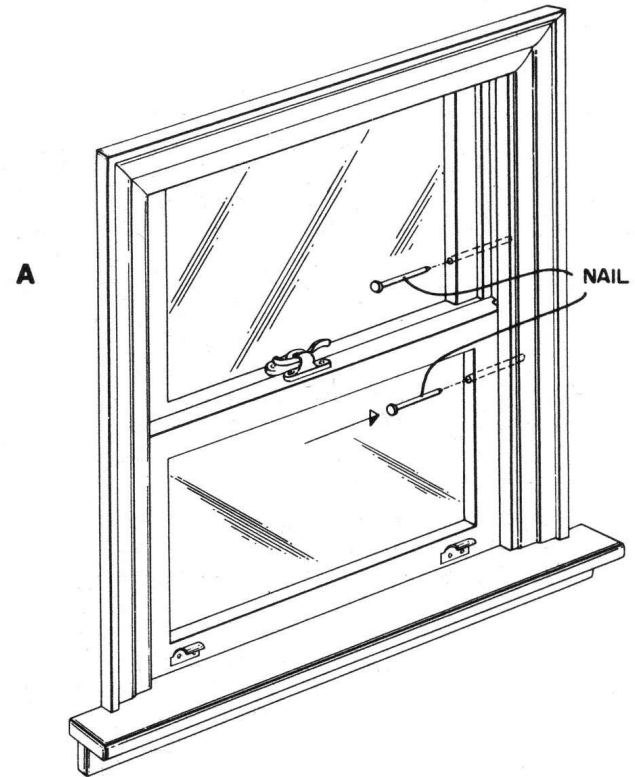


Figure 25.
To Secure a Window