



Permissions For Reprints Contact: 1-800-640-8285

How To Repair Leaking Pipe at Thread Join

Pipe leaks, whenever they occur, are messy, unpleasant, and sometimes dangerous affairs. If we were convinced there were humor in the situation, we'd crack a joke about it. But we don't find anything funny about the prices plumbers charge to make emergency repairs, especially on Saturdays, Sundays, and holidays when they are called away from their recreation.

This and the next three recipes offer quick-and-easy emergency measures to be taken when a plumber is not regularly available. They will provide relief and save you money in the bargain. The first of these is a permanent repair, while the others are stopgap procedures to be followed until an expert can be called in.

Utensils

Paintbrush
Medium flat blade screwdriver
Hammer

Ingredients

Spool of white cotton thread
Small amount of house paint

Approximate Time: 30 Minutes

1. After locating leak, turn off water supply to pipe.
2. Apply a coat of paint to leaking section of pipe.
3. Wrap cotton thread around exposed sections of pipe thread in clockwise direction. Use thread liberally and wrap as close to fitting as possible (Fig. 88A).
4. Using the point of the screwdriver as a wedge and tapping screwdriver handle gently with hammer, force thread into pipe joint all around (Fig. 88B).
5. Apply a coat of paint over wound cotton thread (Fig. 88C).
6. Repeat steps 3 and 4.
7. Apply another coat of paint on cotton thread.
8. Let dry.
9. Reopen water supply and test patched area. If leak is not totally sealed, repeat procedure.

Note: Epoxy glue may be used instead of paint.

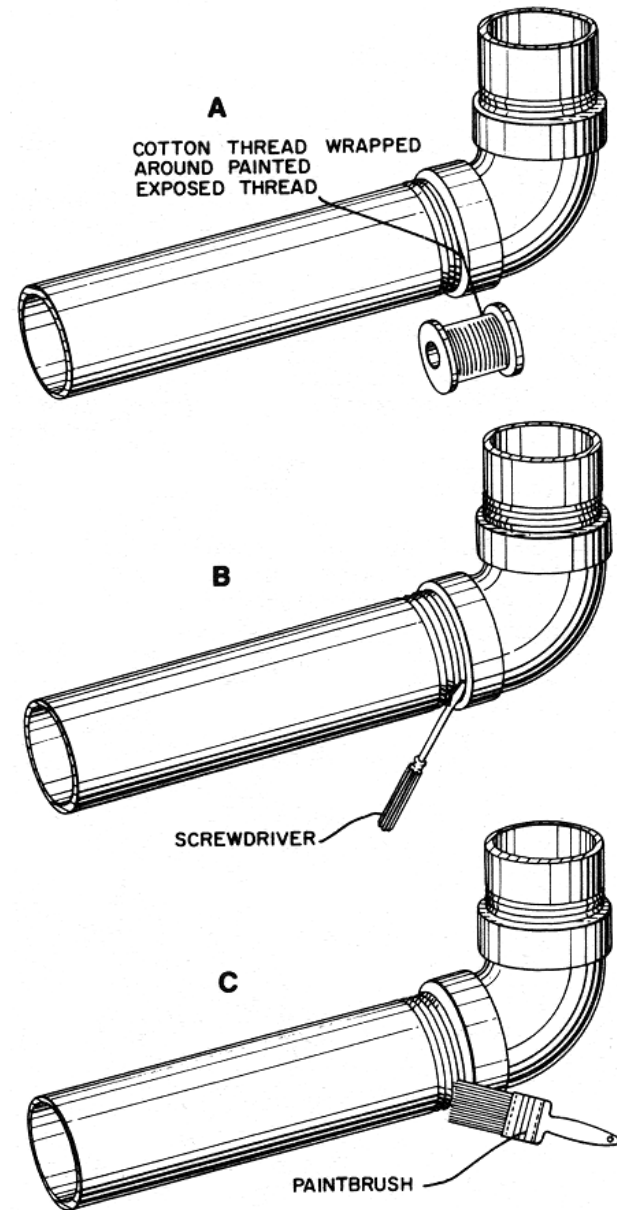


Figure 88.
How To Repair Leaking Pipe