



Permissions For Reprints Contact: 1-800-640-8285

How To Repair Large Holes In Pipes or Water Tanks

We could never figure out how a torpedoed ship in those good old war movies could stay afloat with a huge section of its hull torn out. But we found out the damage-control procedure, and we'd like to pass it along to you for nonhostile use. Aboard a leaky ship it is impossible to turn off the ocean; but in your home, all you have to do is turn a valve. Do so immediately when a large hole is detected. Note: If there is a flood in your basement, allow water to recede before beginning to work. No need to risk electrocution.

Utensils

Pocketknife
Hammer or hatchet

Ingredients

Small block of pine or other soft wood

Approximate Time: 30 To 60 Minutes

1. Shut off water supply at main valve.
2. Having established the location and size of hole to be plugged, carve out a wedge of wood from the block to match it.
3. Insert wedge into hole and secure it there by gently tapping with hammer (Fig. 91 A).
4. Carve out several additional splinter-type wedges from the remaining portion of the block.
5. Tap in a few of these wedges to further seal any openings the larger wedge failed to close (Fig. 91B).
6. If there is still some leakage, drive additional small wedges into spot(s) from which leak is issuing. The leak will continue until wood expands in hole.
7. Call plumber as soon as possible, but don't get him out of bed on Saturdays, Sundays, or holidays.

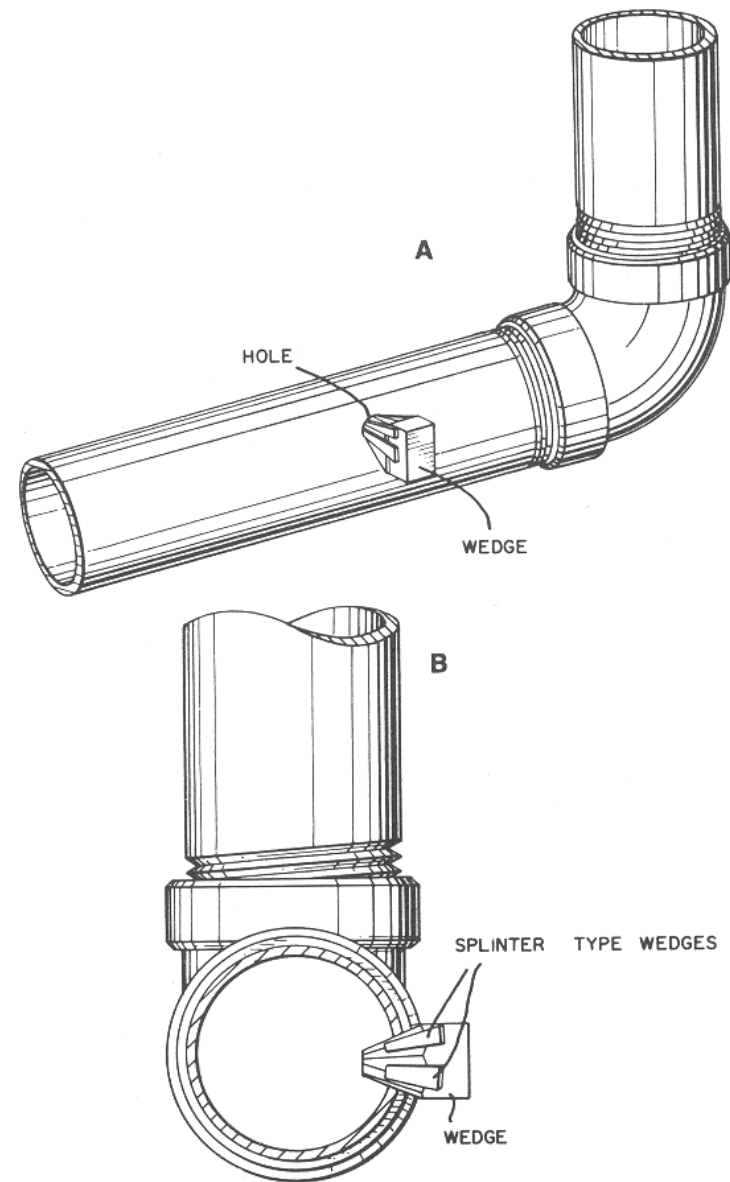


Figure 91.
Repairing Leaks in Large Water Pipes