

## How To Use An Electric Drill

The electric drill, with its many attachments, is one of the most versatile tools you can have around the house. In addition to its drilling functions, which are many, the electric drill can be used as a light sanding device and as a buffer. Best of all, the electric drill requires no special skill and is extremely easy to handle. One word of caution, however: It is essential that your wall outlet be grounded if it is not of the three-pronged variety. See Recipe 63 on Installing a 3-Pronged Grounded Adapter.

### Utensils

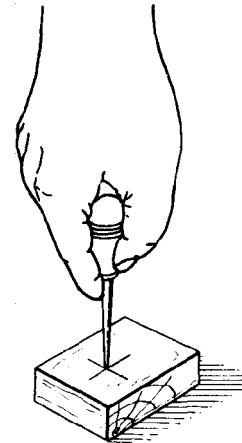
Hammer  
Awl  
Table vise or C-clamp  
Electric drill, grounded with  
three-pronged plug  
Variety of bits  
Center punch

### Ingredients

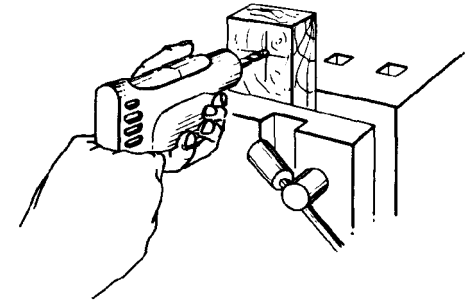
Several blocks of wood  
Several strips of metal  
Can of machine oil

1. With hammer and awl, punch a small hole in a block of wood (Fig. 6A).
2. Insert block of wood in vise so hole is exposed.
3. Loosen chuck with chuck key as shown in Figure 6B.
4. Insert drill bit.
5. Tighten chuck with key.
6. Cradle the barrel of the drill in the palm of one hand.
7. Grasp the handle and the trigger with the other hand.
8. Squeeze trigger to start drill.
9. Now place spinning drill bit against punched hole with a degree of force (Fig. 6C). Do not push too hard, as this will cause wobbling, and wobbling will result in an oversized hole and possibly break the bit.
10. Relieve pressure on drill just before breaking through the wood.
11. Repeat process on several other blocks of wood until you have gained confidence and some measure of proficiency.
12. With hammer and center punch, punch a dimple in the surface of the metal and insert metal into vise.
13. Repeat steps 8-11. If drilling through steel, add a few drops of machine oil to the hole. This will prevent the buildup of heat friction. (Brass requires no lubrication.)

A



C



PUNCH A SMALL HOLE IN  
A BLOCK OF WOOD

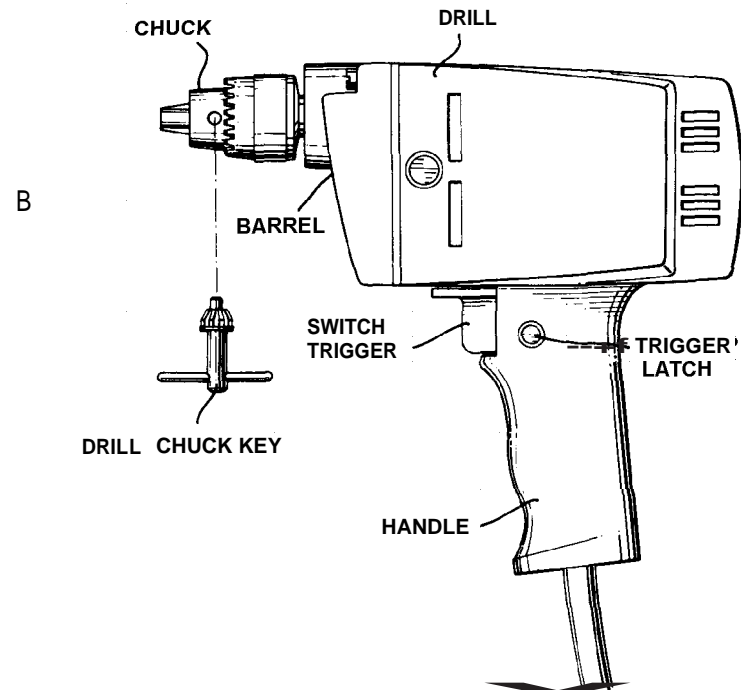


Figure 6.  
Electric Drill Techniques